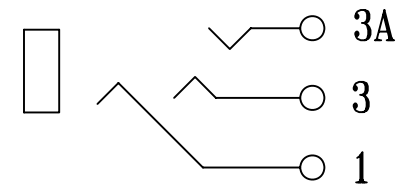
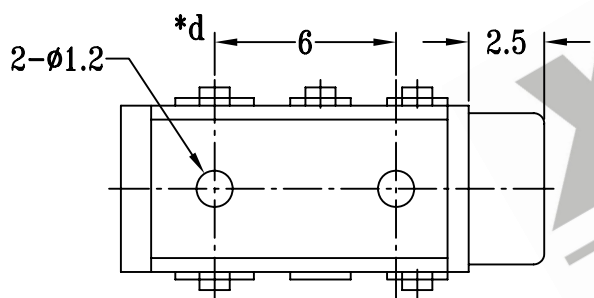
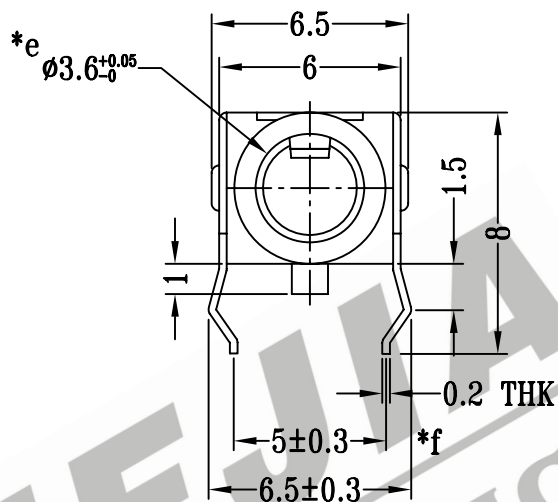
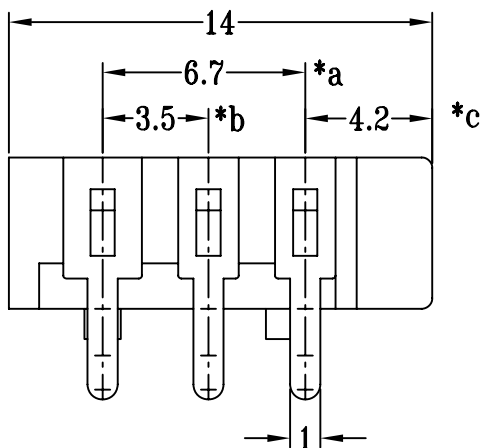
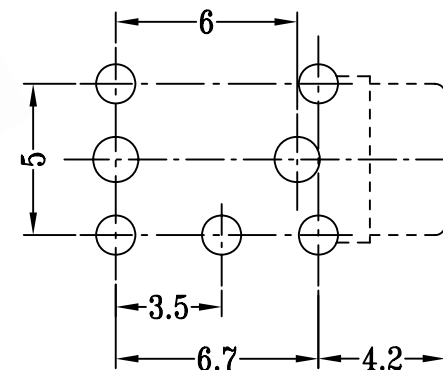


CAD FILE:



**SCHEMATIC**



**P.C.B LAYOUT**

注:带\*表示关键尺寸(6个)

8					TOLERANCE UNLESS SPECIFIED	SHENZHEN XIEJIA ELECTRONICS CO.,LTD.				
7										
6					WITHIN: 1.5±0.1mm OVER: 1.5±0.2mm	ISSUE	DATE	DESCRIPTIONS OF REVISION		APPD.
5										
4	TERMINAL A	STAINLESS STEEL	1	Ag PLATED OVER Ni PLATED	TITLE : PHONE JACK	UNIT : mm	DRWG NO.: XJ-DR-ST009-00			
3	TERMINAL B	PBS STRIP	1	Ag PLATED OVER Ni PLATED						
2	TERMINAL C	STAINLESS STEEL	1	Ag PLATED OVER Ni PLATED	MODEL: ST-009	SCALE: 4:1	DWN.	ZHOUYU	2004-7-23	
1	CASE	PC/NYLON+94V0+F.G	1	GREEN/BLACK			CHK'D	FANGYING	2004-7-23	
NO.	PARTS	MATERIALS	Q'TY	FINISH	ALL MATERIALS MUST BE COMPLIANT TO ROHS		APPD.	KANGXINAN	2004-7-23	